

McGill AirFlow LLC

An enterprise of United McGill Corporation —
Family owned and operated since 1951

Duct-D-Fuser™ Terminal Outlets

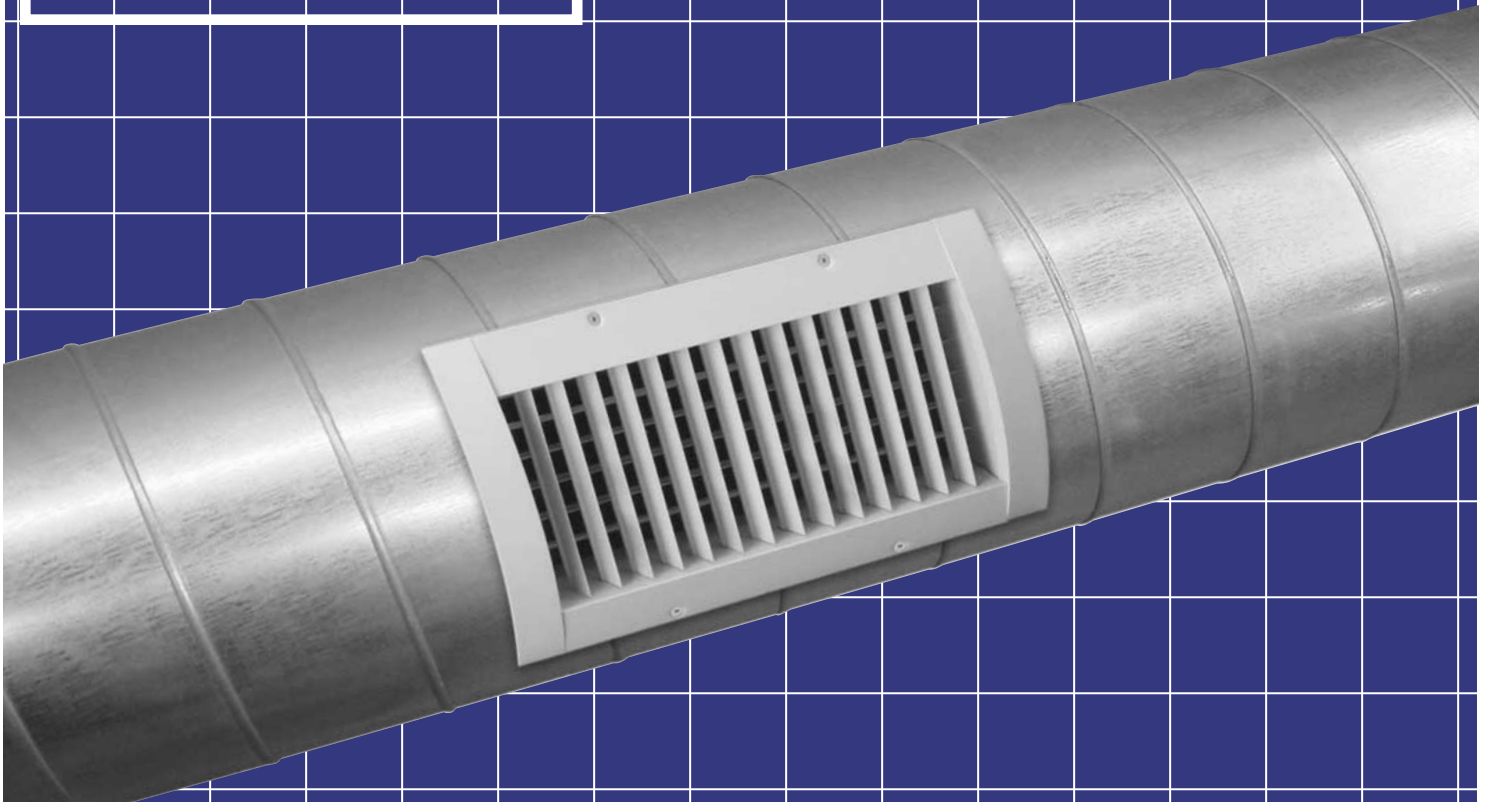
Duct Registers

DEFLECTION and LINEAR SLOT

a McGill AirFlow™ product

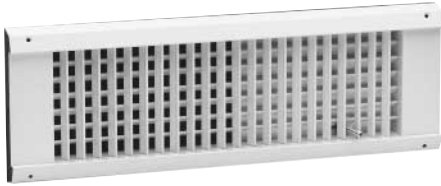
DUCT REGISTERS

McGill AirFlow LLC



**MODEL DDF-RDD DOUBLE DEFLECTION
REGISTER MOUNTED ON DUCT**

McGill AirFlow offers single and double deflection and linear slot duct registers. These registers provide direct throw control of the airflow to localized areas.



Model DDF-RUDDS register— universal, double deflection with adjustable air scoop

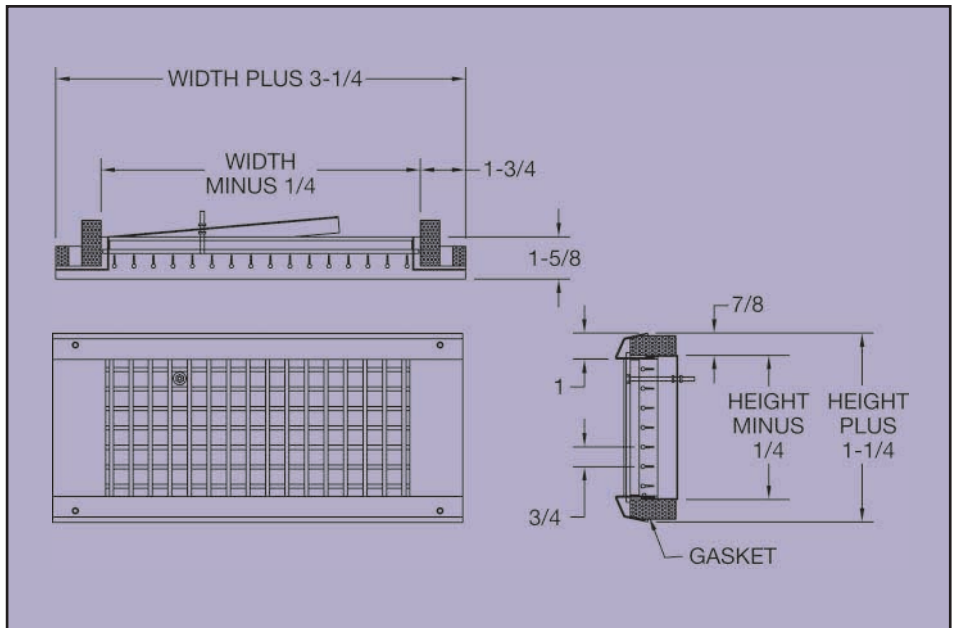
Model DDF-R Deflection Registers

McGill AirFlow's standard and universal Model DDF-R series deflection registers are constructed from extruded aluminum and finished in white enamel or satin anodized. The universal models are fabricated with a profile that allows assembly to any duct curvature. All models have gaskets on the margins for sealing. They are available in a minimum size of 3 inches by 10 inches to a maximum size of 12 inches by 36 inches (see **Table 1** for universal registers and **Table 2** for deflection registers). They are offered in single (vertical) and double (vertical and horizontal) deflection, and are equipped with adjustable blades. The optional air scoop has face screw adjustment(s) for volume flow rate control.

Table 1
Available Sizes for the DDF-RUSD and DDF-RUDD Registers

Minimum A (Duct or Outer wall k27®) Dimension (inches)	B (Grille) Dimensions (inches)	
	Height	Width
6	3	10, 12, 14, 16, 18, 20, 24, 30, 36
10	4	10, 12, 14, 16, 18, 20, 24, 30, 36
12	6	10, 12, 14, 16, 18, 20, 24, 30, 36
20	8	14, 16, 18, 20, 24, 30, 36
24	10	16, 18, 20, 24, 30, 36
30	12	18, 20, 24, 30, 36

*Maximum diameter is unlimited; can be provided off flat.



Model DDF-RUSD register— universal, double deflection with adjustable air scoop

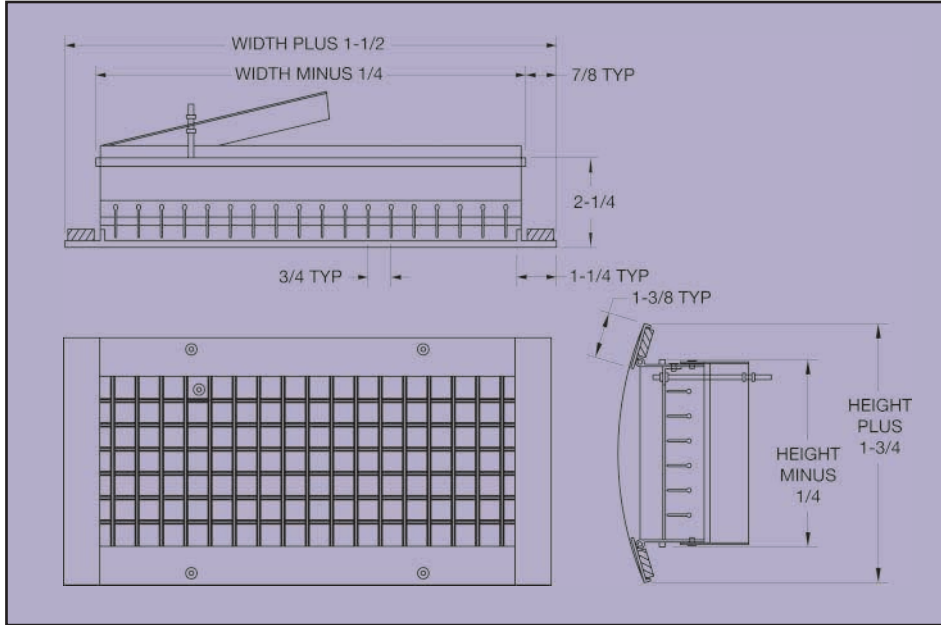
Table 2
Available Sizes for the DDF-RSD and DDF-RDD Registers

Minimum A (Duct or Outer wall k27®) Dimension (inches)	B (Grille) Dimensions (inches)	
	Height	Width
5	3	10, 12, 14, 16, 18, 20, 24, 30, 36
6	4	10, 12, 14, 16, 18, 20, 24, 30, 36
8	6	10, 12, 14, 16, 18, 20, 24, 30, 36
10	8	14, 16, 18, 20, 24, 30, 36
12	10	16, 18, 20, 24, 30, 36
14	12	18, 20, 24, 30, 36

*Maximum diameter for all sizes is 36 inches.

United McGill™, McGill AirFlow™, Duct-D-Fuser™, and Factair™ are trademarks of United McGill Corporation.

The products depicted in this brochure were current at the time of publication. As a quality-conscious manufacturer, McGill AirFlow is continually seeking ways to improve its products to better serve its customers. Therefore, all designs, specifications, and product features are subject to change without notice.



Model DDF-RDDS register— standard, double deflection with adjustable air scoop

Table 3
Available Sizes for the DDF-RLS Registers

Slot Type (Slot Height – inches)	Height {Minimum Duct Diameter} (inches)			
	Number of Slots			
	1	2	3	4
2 (1/2 inch)	1-3/4 {6}	3 {8}	4-1/4 {12}	5-1/2 {16}
3 (3/4 inch)	2 {6}	3-1/2 {10}	5 {14}	6-1/2 {22}
4 (1 inch)	2-1/4 {6}	4 {12}	5-3/4 {16}	7-1/2 {28}
Width (inches)	12, 18, 24, 30, 36, 42, and 48			

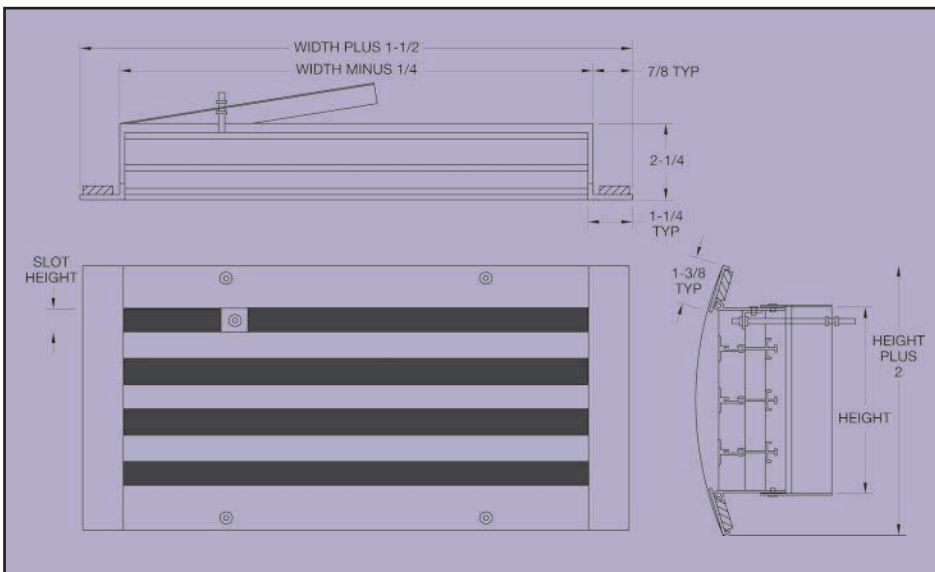
*Maximum diameter is 30 inches.



Model DDF-RLS4SW-2 Linear Slot Register

Model DDF-RLS Linear Slot Registers

Model DDF-RLS linear slot registers are extruded from aluminum with a standard satin anodized finish. They can also be ordered with a white (w) enamel finish. All models have a gasket on the margins for sealing. The air scoop with face screw adjustments is standard on registers with 1-inch-wide slots. They are available in lengths from 6 inches to 48 inches in 6-inch increments and can be used on 6-inch to 30-inch diameter duct. Model DDF-RLS linear slot registers offer three slot widths with up to 4 slots (see **Table 3**).



Model DDF-RLS4S-4 Linear Slot Register (number 4 [1-inch] slot width with air scoop, satin anodized finish, and 4 linear slots)



Model DDF-RD Drum Register

Model DDF-RD Drum Registers

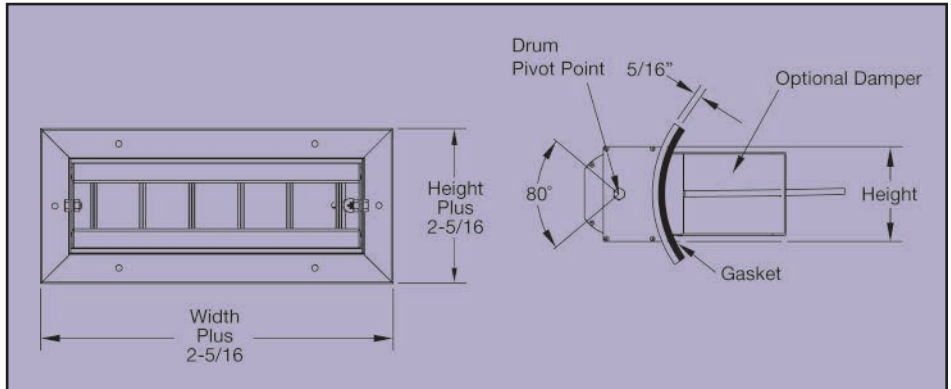
These drum registers are ideal for exposed ductwork applications where long throws and adjustable air patterns are required. Typical installations include commercial kitchens and laundries, food-processing plants, manufacturing facilities, multi-purpose buildings, recreational centers, sports arenas, shopping malls, and warehouses.

The Model DDF-RD drum register is easily installed on the perimeter of round or flat oval spiral duct. The curved frame is rolled to the diameter of round duct or minor axis dimension of flat oval duct, insuring a perfect fit every time. This eliminates the need for costly saddle taps and will save you time and money during the installation process.

These drum registers are made of heavy gauge aluminum and are available in heights of 4, 6, and 8 inches and lengths up to 60 inches, which

Table 4
Available Sizes for the DDF-RD Drum Registers

Minimum A (Duct) Dimension (Outer wall k27®)	B (Grille) Dimensions (inches)	
	Height	Width
8	4	12, 18, 24, 30, 36, 42, 48, 60
10	6	12, 18, 24, 30, 36, 42, 48, 60
12	12	12, 18, 24, 30, 36, 42, 48, 60



Model DDF-RDS Drum Register with adjustable air scoop

makes them versatile to any project.

To provide additional directional control of airflow, the drum register is able to rotate +/-40 degrees up or down and the blades, spaced two inches apart, pivot side to side from the front fascia. This gives the drum register a clean architectural look to any exposed ductwork system. It is available with an optional damper for air scooping.

Performance

For the selection of deflection, slot, and drum registers based on available pressure, desired throw, and acoustical characteristics, please refer to McGill AirFlow's *Performance Data Sheets for Grilles and Registers*. Visit our web site at: <http://www.mcgillairflow.com/textDocs/ddFuser/DDFdataSheet.pdf>

McGill AirFlow LLC

An enterprise of United McGill Corporation —
Family owned and operated since 1951

One Mission Park
Groveport, Ohio 43125-1149
614/829-1200, Fax: 614/829-1291
E-mail: marketing@mcgillairflow.com
Web site: mcgillairflow.com